

Limited Lifetime Faucet Warranty

Riego™ warrants its faucets to be free from defects in material and workmanship for as long as the original consumer purchaser owns his or her home.* This warranty applies only in the original installation location. If a defect is found in normal residential use, Riego™ will, at its election, repair, provide a replacement part or product, or make an appropriate adjustment. Riego™ reserves the right to examine the product in question and its installation prior to replacement. This warranty is limited to replacement of defective parts only. Damage to a product caused by accident, improper installation, misuse, or abuse is not covered by this warranty. Improper care and cleaning will void the warranty.** Replacement parts can be obtained from your local dealer or directly from the Riego™ warehouse. Dated proof of purchase from an authorized reseller must accompany all warranty claims. This warranty applies only to Riego™ faucets installed in the United States of America, Canada or Mexico (North America).

Riego™ recommends using a certified plumber for faucet installation and repair. Incidental and consequential damages, labor charges, shipping costs, repair or replacement costs are expressly excluded. In no event shall the liability of Riego™ exceed purchase price of the faucet. Some states and provinces do not allow the exclusion or limitation of incidental or consequential damages, so the above limitation may not apply to you. This warranty gives you specific legal rights which vary from state/province to state/province. If you find any such problem with your product, please immediately contact your nearest Riego™ dealer or sales representative.

* Two year warranty on commercial applications.

** Never use cleaners containing abrasive cleansers, ammonia, bleach, acids, waxes, alcohol, solvents or other products not recommended for surface finishes. This will void the warranty.

Riego

Tub and Shower Set
w/ Pressure Balancing Valve
Model L9220 / L9320 / L9420



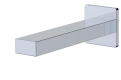
Model L9220
J Series



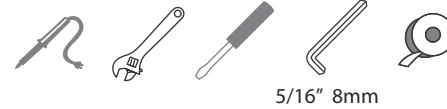
Model L9320
Q Series



Model L9420
M Series



Tools Required



5/16" 8mm

Tools Supplied with Product



For proper and easy installation of your Riego faucet you will need:

- To READ ALL instructions completely before beginning.
- To READ ALL warnings, care and maintenance information.

NOTICE TO INSTALLER: CAUTION! As the installer of this product, it is your responsibility to properly install this product per the instructions given. Leave this instruction sheet and the supplied tools with the owner/user for future use.

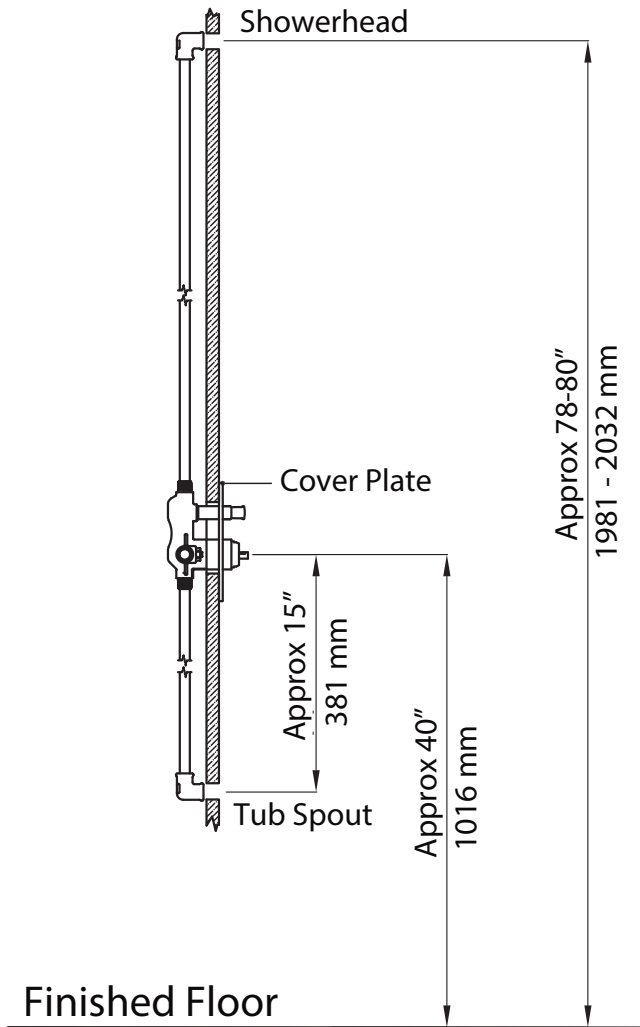
If you have any questions regarding this product, please contact us at:

Riego
Los Angeles, California
Toll Free: 1-866-684-2314
support@riego.co
www.riego.co

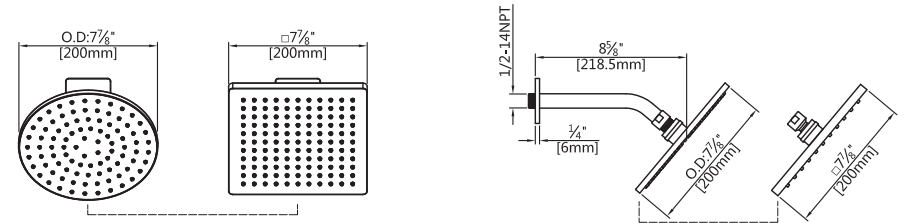
This faucet meets or exceeds the following standards:
ASME A112.18.1 / CSA B125.1
This product has been tested and certified by IAPMO



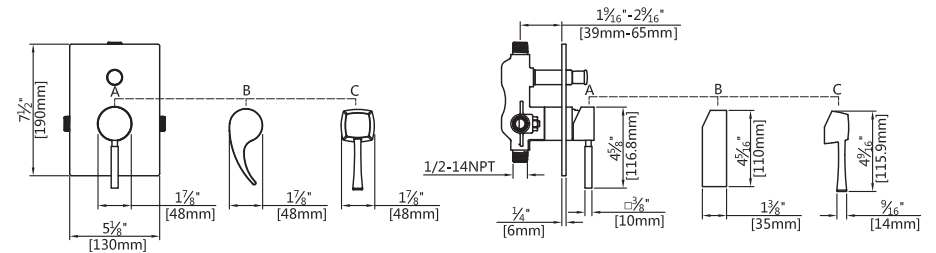
The drawing shows typical measurements from the finished floor. Use only 1/2" copper tubing or iron piping for the tub spout connection with only one copper tubing or iron piping 90 degree elbow to the tub spout.



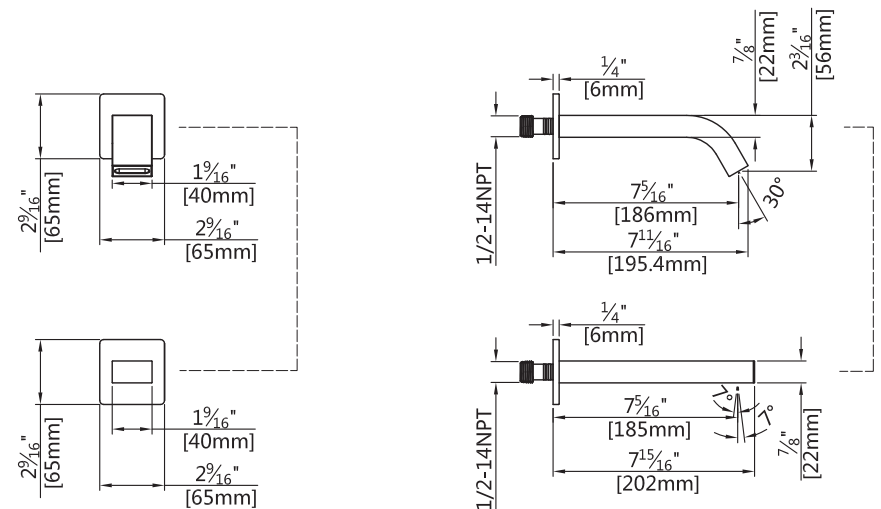
Shower Head

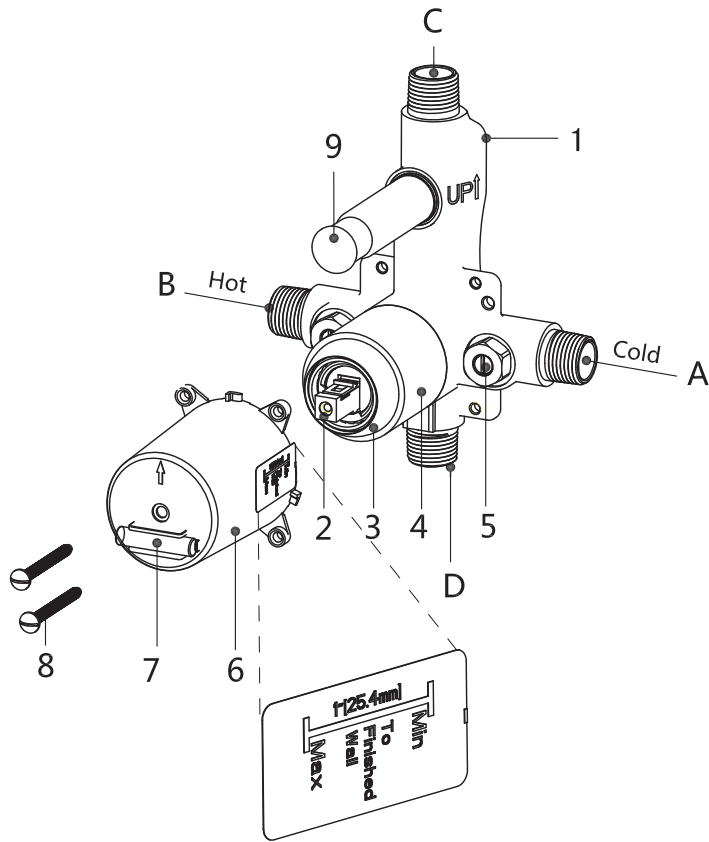


Cover Plate & Handle



Tub Spout





Specifications:

Max flow	4.5 gpm or 18 L/min at 60 psi
Flow pressure	20-72.5 psi
Max pressure	120 psi
Max temperature	176° F or 80° C
Inlet connection	1/2" NPT and 1/2" CxC
Outlet connection	1/2" NPT and 1/2" CxC

Adjusting Maximum Temperature

Caution: The valve is preset at the factory to maximum. To adjust, please follow these instructions: Remove red max temperature adjust ring from the cartridge (2). Turn the red ring clockwise to adjust the max temperature to the desired setting. Reassemble and test until the desired setting is achieved.

Valve Installation Instructions

1. Shut off hot and cold water supplies. Make sure to use the enclosed Cutout Template to open the wall properly.
2. Install pressure balancing valve body (1) so the surface of FINISHED wall is between the MIN and the MAX mark on the mud guard (6).
NOTE: Make sure that the arrow on the mud guard (6) and the word "UP" on the valve body (1) point upwards, and use the bubble level for leveling reference. If the valve is placed too deep inside the wall, please contact Riego for an extension kit.
3. Connect the valve body (1) to water supplies using proper fittings (copper tubing, iron pipe or PEX). (A) is the cold inlet port marked in blue and (B) is the hot inlet port marked in red on the body.
 - 3.1 For 1/2" Copper Tube Soldering Connections: Solder water supply to valve body (1).
NOTE: Prior to soldering, remove the integral stops (5) and the cartridge (2) by unscrewing the cap and retaining nut (3). Also remove diverter (9) by unscrewing counter-clockwise. Avoid soldering excessively at high temperature.
 - 3.2 For 1/2" IPS Thread Connections: Apply Teflon tape to the threaded ends and connect water.
4. Connect the top outlet (C) to shower pipe and the bottom outlet (D) to tub spout pipe with proper fittings.

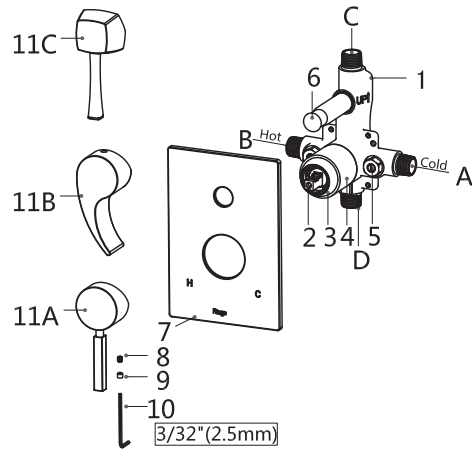
Pressure Testing & System Flushing

1. Loosen up two screws (8) to remove mud guard (6) with a flat head screwdriver.
2. Prior to testing, use a flat head screwdriver to turn the stem of integral stops (5) counter-clockwise to its fully open position.
3. Plug both outlets (C & D) with proper fittings. Turn up water pressure and check for any leaks.
4. After testing, remove shower and tub spout plugs. Pull the knob of diverter (9) and water should flow out of either shower or tub spout outlet, not both at the same time.
5. Remove decorative cap then retaining nut (3) with an adjustable wrench. Pull cartridge out from its housing (4) and flush the whole system.

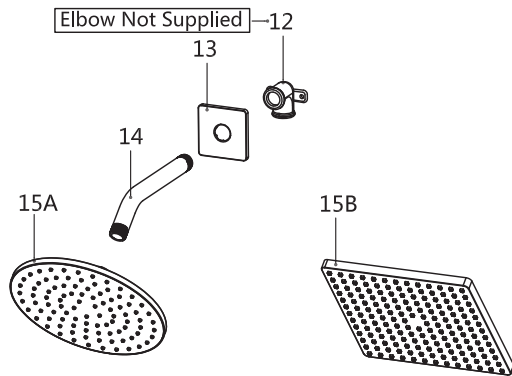
Diverter Operation Instructions:

To switch the water flow between the tub spout and the shower, simply pull the knob of diverter (9). Turn the knob (9) to lock the diverter in place. Turn again to unlock diverter.

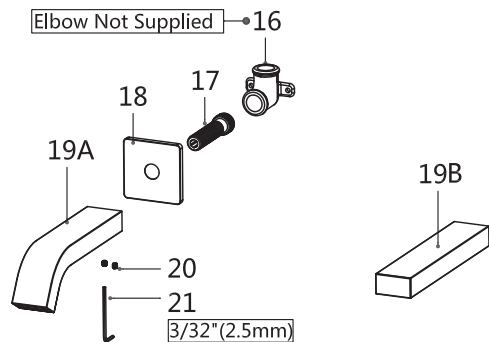
1. Cover and Handle



2. Showerhead



3. Tub Spout



Cover Plate and Handle Installation Instructions

1. After peeling paper backing from double sided foam tape on the back side of cover plate (7), slide cover plate (7) over diverter (6) and sleeve tube (4).
2. Gently press cover plate (7) against the finished wall.
3. Push handle (11A, 11B or 11C) onto cartridge stem (2). Use the supplied Allen wrench (10) to tighten set screw (8) and then cover with a silicon plug (9).

Shower Head Installation Instructions

1. Make sure 1/2" drop elbow (12) is installed securely inside the wall.
2. Slide escutcheon (13) over shower arm (14). Peel paper backing from double sided foam tape on the back side of escutcheon (13). Do not press escutcheon (13) to wall yet.
3. Apply Teflon tape onto threads, and screw shower arm (14) into 1/2" drop elbow (12) inside the wall.
4. After adjusting the shower arm position, gently press escutcheon (13) against the finished wall.
5. Hand thread shower head (15A or 15B) onto shower arm (14) and tighten with an adjustable wrench by 1/4 turn.

Tub Spout Installation Instructions

1. Make sure 1/2" drop elbow (16) is installed securely inside the wall.
2. Thread "Smart Connector" (17) into drop elbow (16) and tighten with a 5/16" (8mm) Allen wrench (not supplied).
3. Peel paper backing from the double sided foam tape on the back side of escutcheon (18) and slide escutcheon (18) over "Smart Connector" (17). Gently press escutcheon (18) against the finished wall.
4. Push tub spout (19A or 19B) over "Smart Connector" (17) to stop.
5. Secure tub spout (19A or 19B) with two set screws (20) using the supplied Allen wrench (21).

Care & Maintenance Instructions

For Pressure Balancing Cartridge:

Use a flat head screwdriver to turn the stem of integral stops (5) clockwise to its fully closed position. Remove handle and then cartridge by unscrewing cap and retaining nut (3), then rinse with running water to ensure any trapped debris has been removed.

For Surface Finish:

To clean, use a soft and damp cloth with warm soapy water and follow by rinsing with clean water and then dry with a soft cloth. Do not use abrasive or harsh cleaners as this may result in finish damage.