

Limited Lifetime Faucet Warranty

Riego™ warrants its faucets to be free from defects in material and workmanship for as long as the original consumer purchaser owns his or her home.* This warranty applies only in the original installation location. If a defect is found in normal residential use, Riego™ will, at its election, repair, provide a replacement part or product, or make an appropriate adjustment. Riego™ reserves the right to examine the product in question and its installation prior to replacement. This warranty is limited to replacement of defective parts only. Damage to a product caused by accident, improper installation, misuse, or abuse is not covered by this warranty. Improper care and cleaning will void the warranty.** Replacement parts can be obtained from your local dealer or directly from the Riego™ warehouse. Dated proof of purchase from an authorized reseller must accompany all warranty claims. This warranty applies only to Riego™ faucets installed in the United States of America, Canada or Mexico (North America).

Riego™ recommends using a certified plumber for faucet installation and repair. Incidental and consequential damages, labor charges, shipping costs, repair or replacement costs are expressly excluded. In no event shall the liability of Riego™ exceed purchase price of the faucet. Some states and provinces do not allow the exclusion or limitation of incidental or consequential damages, so the above limitation may not apply to you. This warranty gives you specific legal rights which vary from state/province to state/province. If you find any such problem with your product, please immediately contact your nearest Riego™ dealer or sales representative.

* Two year warranty on commercial applications.

** Never use cleaners containing abrasive cleansers, ammonia, bleach, acids, waxes, alcohol, solvents or other products not recommended for surface finishes. This will void the warranty.

Riego

Joystick Lavatory Faucet w/ Waste Drain

Model L95001
W Series Lavatory Faucet



Tools Required



Tools Supplied with Faucet



For proper and easy installation of your Riego faucet you will need:

- To READ ALL instructions completely before beginning.
- To READ ALL warnings, care and maintenance information.

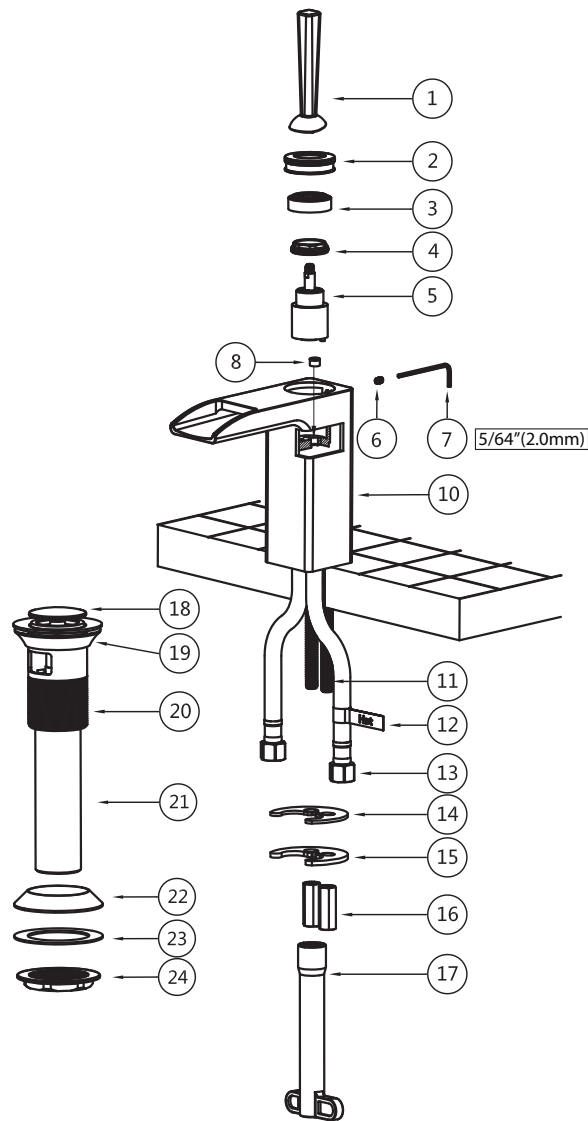
NOTICE TO INSTALLER: CAUTION! As the installer of this product, it is your responsibility to properly install this product per the instructions given. Leave this instruction sheet and the supplied tools with the owner/user for future use.

If you have any questions regarding this product, please contact us at:

Riego
Los Angeles, California
Toll Free: 1-866-684-2314
support@riego.co
www.riego.co

This faucet meets or exceeds the following standards:

ASME A112.18.1 / CSA B125.1
NSF 61-9 / EPA WaterSense
AB1953 California Lead Plumbing Law Certified
This product has been tested and certified by IAPMO



Specifications:

Max flow	1.5 gpm or 5.7 L/ min at 60 psi
Flow pressure	15-72.5 psi
Max pressure	120 psi
Max temperature	176° F or 80° C
Inlet connection	9/16" Female

Faucet Installation Instructions

1. Shut off water supplies and ensure faucet hole is minimum 1-1/4" (32mm) in diameter on the mounting surface.
2. Pass stainless steel flex hoses (13) and mounting bolts (11) through faucet hole on mounting surface.
3. Place faucet in position on mounting surface. Assemble rubber mounting washer (14) and metal mounting plate (15) by sliding them over mounting bolts (11).
4. Screw mounting nuts (16) onto mounting bolts (11), and tighten with the supplied socket wrench (17).
5. Connect flex hoses (13) to water supply using Teflon tape as required. Turn on water supplies and faucet to flush the system and check for any leaks at connections.

Waste Drain Installation Instructions

1. After unscrewing tail pipe (21) and removing lock nut (24), washer (23) and black seal gasket (22), from above insert drain body (20) through the basin drain hole. Note: For basin with a shallow drain hole, remove white seal gasket (19) and place a bead of plumber's putty or silicon around the underside of flange prior to inserting the drain body (20) into the basin drain hole.
2. From below re-install black seal gasket (22), washer (23) and lock nut (24) in order. Tighten lock nut (24) with a wrench until black seal gasket (22) securely seats inside the drain hole. Apply Teflon tape on the threads of the tail pipe (21) and screw it onto the drain body (20). Run water and check for leaks.

Operation Instructions

- Push cap (18) to raise the stopper to open the drain
- Push cap (18) to lower the stopper to close the drain

Care & Maintenance Instructions

For Cartridge & Flow Restrictor :

Shut off water supply. After removing set screw (6) with the supplied Allen wrench (7), pull the handle (1) straight up along with rubber gasket (3) and cover ring (2). Use an adjustable wrench to untighten and remove retaining nut (4) and then pull cartridge (5) straight up to remove. Rinse cartridge (5) with clean running water to ensure any trapped debris has been removed. Dry and lightly grease the seals with NSF approved silicone grease. After removing cartridge (5), use a sharp nose plier to pull out flow restrictor (8) for cleaning or replacment.

For Surface Finish:

To clean, use a soft and damp cloth with warm soapy water and follow by rinsing with clean water and then dry with a soft cloth. Do not use abrasive or harsh cleaners as this may result in finish damage.